

UNDER EAVE VENT

POLYPROPYLENE



Environmentally Friendly



Durable



Ventilation



Adjustable



RECOMMENDED COMBINATION



UNDER EAVE VENT

No. 22120 / 22121

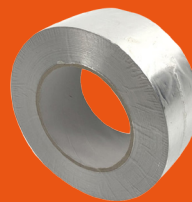
+



METAL WORM GEAR CLAMPS

No. 22375

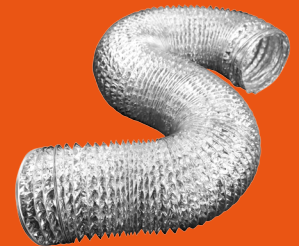
+



FOIL TAPES

No. 42514

+

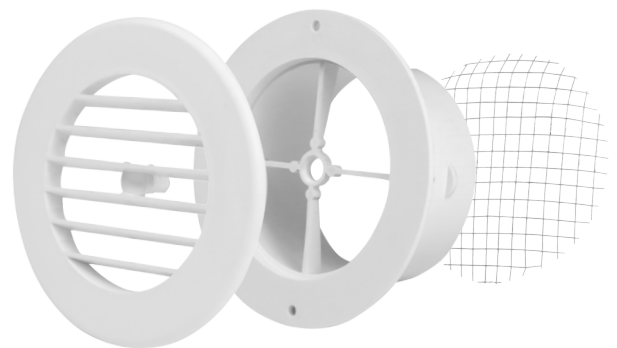


ALUMINUM FOIL DUCT

No. 22392

FEATURES

- 2-piece snap in plastic design hides mounting screws.
- Louvers rotatable.
- Includes a screen inside the vent. The panel can be freely detached, very convenient to clean and maintain.
- Complies with UL94-V. The surface is paintable. Flame retardant material, fireproof.
- Tabs to hold duct in place.
- Stylish design, ideal for room exhaust and ventilation use.



RELATED ITEMS



No. 22380

METAL TENSION CLAMP

Design with an easy-to-use pressure mechanism for use in various applications.

For use without any tools on non-rigid flexible ducts. Highly durable.



No. 22351

VINYL DUCT

Do not use for high temperature venting applications. Highly durable.

Flexible white vinyl duct.



No. 22346

ALUMINUM PREFERRED HOOD VENTS

Aluminum preferred hood vent with tail pipe.

Highly durable.

Spring controlled damper.



No. 22323W/22323B

PLASTIC LOUVERED VENT

Free swinging louvers.

UV inhibitor is used to help prevent the premature fading of vent.

Available in color white or brown.