

MINI SPLIT MOUNTING BRACKETS

Submittal Information

Part No. 18023-18025
 Document No. SPECA18023
 Date 2025-02-20
 Revision 03

General Properties

Material: Steel
 Finish: Gray Powder Coated

Specification

Item No.	L1	L2	L3	Thickness	Max Load Capacity	Carton Quantity
18023 (type1)		16-1/2"	21-3/4"	14 ga	120 lbs	10
18024 (type2)	31"	15"	17-3/4"	14 ga	176 lbs	6
18025 (type2)	31-1/2"	15"	21-3/4"	14 ga	176 lbs	6

Features

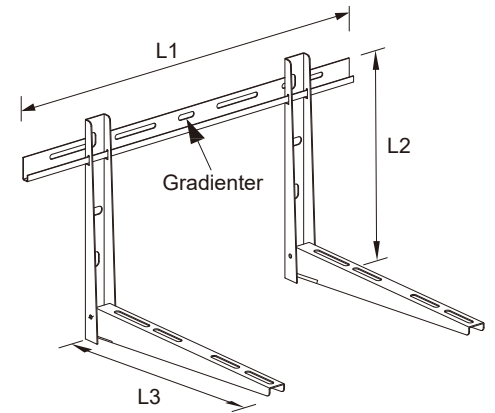
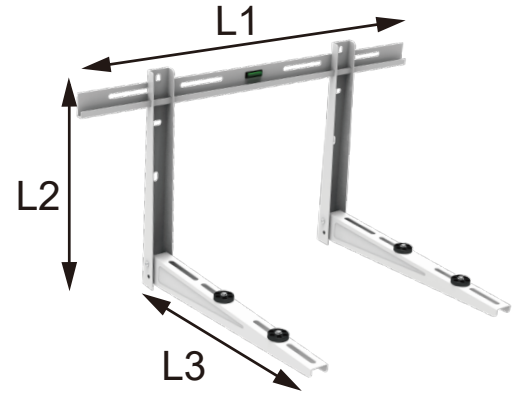
- Features a sturdy L-bracket with precise construction, ensuring perfect perpendicular alignment.
- Made from robust steel with a ribbed, lightweight design, it includes a crossbar for added stability.
- A built-in bubble level and adjustable back support allow for quick, accurate setup.
- Raising the outdoor unit above ground protects it from dirt, snow, flooding, and corrosion.
- All necessary mounting hardware and vibration isolation pads are included for easy, noise-reducing installation.

Accessories

Every bracket set come with below accessories.

Item No.							
18023	4	4		4	4	4	2
18024	4	4	2	4	4	4	
18025	4	4	2	4	4	4	

NOTE: Randomly assigned



Accessories Display